

Automatic attracting and releasing can be made with

# MAGPORTER

BATTERY POWERED PORTABLE LIFTING MAGNET

*New, Automatic & power-saving*



SUMITOMO HEAVY INDUSTRIES, LTD.



The **MAGPORTER** is a portable type lifting magnet which can be used for transportation, assembling and positioning welding work, and can be fitted to any material handling equipment.

### Power-Saving

- Set the switch at Automatic Operation and the MAGPORTER automatically carries out all ON-OFF operations.
- Low power consumption.

### Speedy Operation

- Operating efficiency is greatly improved by the automatic

operation feature. Attraction and release can be made by operating the crane and/or hoist alone.

- Ease of maintenance is realized by features such as easy battery charging and replacement.

### Safety

- The MAGPORTER is battery-powered, eliminating possible accidents caused by power

failure.

- An electronic warning is given at the approach of material (MAGPORTER), and when the battery is due to be charged.
- The MAGPORTER is designed to prevent material droppage, through a gap between the MAGPORTER pole surface and the objects to be lifted, and from impact caused by the material colliding with another object.

### APPLI-CATIONS

**Type of Work:** Shearing shops, Welding shops, Steel Plate Cutting/Handling shop, Shipyards, Bridge/Beams Fabrication works, Iron works, Ductile Iron shops, Machine shops, Scrap yards, etc.

**Operating Capabilities:** Transportation and arrangement of small steel materials, carrying materials in the shearing machine, handling of shearing scrap and gas cut scrap, positioning of steel plate and shaped steel, assembling machines and steel structure, etc.

### WHERE TO FIT

Cranes, Hoists, Fork lift, Truck crane, Industrial robots, etc.

### OPERATING FEATURES

#### Automatic switch:

Set the Automatic-Manual selection switch to the "Automatic" position. ON-OFF operations are then automatically made by hoisting and lowering the crane and/or hoist.

#### Charging meter:

Charging time for the battery can be checked by this meter. A warning buzzer sounds when the battery requires charging. The battery needs charging when:

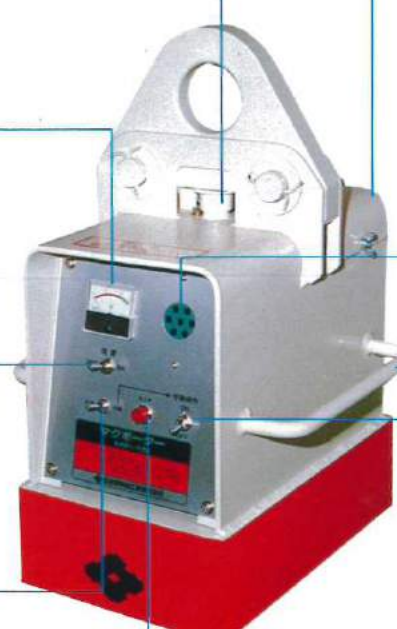
- the meter indicates a voltage less than 11V (red portion).
- the buzzer (continuous sound) is heard.

#### Power switch:

Turn ON when operating the MAGPORTER. Turn OFF to avoid a discharge when it is not in operation.

#### "Automatic-Manual" selection switch:

Depending on the operating conditions, automatic or manual operation can be selected by setting this switch.



#### Battery (built-in):

The battery life (per charge) is approx. 8 to 9 hours when operating for 50% of that period. Uninterrupted operation can be ensured by using a spare battery. Battery replacement is easy.

#### Alarm buzzer:

At the approach of the material (MAGPORTER) a warning buzzer (interrupted sound) is sounded. A warning buzzer (continuous sound) is also sounded when the battery needs charging.

#### Grip:

Enables a fine position adjustment of the MAGPORTER.

#### Manual operation switch:

This switch is used only for manual operation. "ON" MAGPORTER is magnetized by turning the switch ON. It is then ready for operation/transportation. "OFF" MAGPORTER is demagnetized with the switch OFF.

#### Lifting indication lamp:

The lamp is lit when the power is ON (magnetic function).

### BATTERY CHARGER

This is a fully automatic charger designed for MAGPORTER.

A forced charging method is adopted to make full use of the battery capacity.

When a charging is completed the charger turns off automatically to prevent over-charging.





FOR HANDLING PLATES

# MP-15 MP-25

Being designed exclusively for the transportation of steel plates at places as shearing shop, cutting shop, steel fabrication shop, it offers easiness of handling with reasonable price.



## LIFTING CAPACITY

The dimensions shown here are the maximum steel plate that MAGPORTER can carry safely when it is placed at the center of the plate.

(unit=mm)

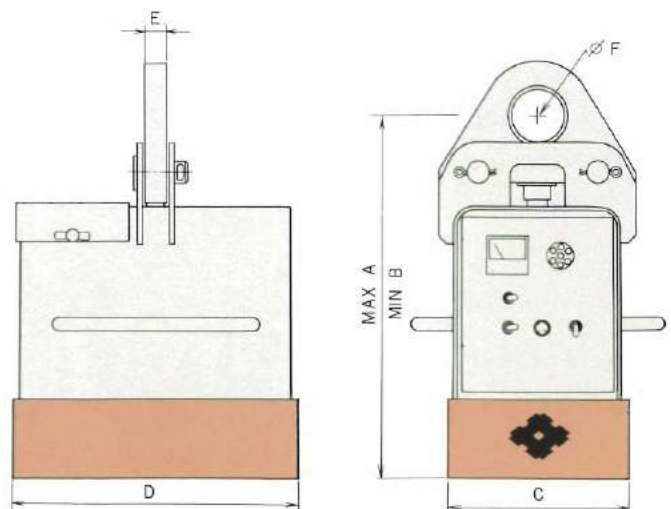
Model	MP - 15			MP - 25			Model	MP - 15			MP - 25		
Wid.	1000	1500	2000	1000	1500	2000	Wid.	1000	1500	2000	1000	1500	2000
Thick.	Length			Length			Thick.	Length			Length		
6	1600	1100	800	2000	1300	1000	25	5000	4000	3000	5000	4000	3000
9	2400	1500	1200	3000	2000	1500	30	5000	3700	2750	5000	4000	3000
12	3200	2100	1600	4000	2700	2000	40	4000	2700	2000	5000	3700	2750
16	4000	2700	2000	4500	3300	2500	50	3200	2100	1600	4500	3000	2250
20	4500	3300	2500	5000	3600	2750							

Conditions: The gap between MAGPORTER and the steel material shall be nil (0.6mm max.).  
The battery must have a rated voltage (min. 11V).

## DIMENSIONS & SPECIFICATION

Model	MP - 15	MP - 25
Dimensions (mm)	A	495
	B	485
	C	240
	D	380
	E	32
	F	70
Self weight (kg)	100	140
Power consumption (W)	90	90
Battery	12V 35AH	12V 35AH
Standard Lifting Capacity	1500	2500

Note: Weight includes battery.





## FOR BAR, PIPE, SHAPED STEEL

# MP-401

The design is suited for round bar, pipe and shaped steel. By fitting additional pole attachment suited for varied lifting materials they can be lifted and carried with safety.



### LIFTING CAPACITY

Work Piece	H shape steel	Angle steel	Pipe	Bar	Plate
Standard Lifting Capacity (kg)	1900	800	600	1600	2500
Max. Dimensions of (mm)	H×B×t×Length 300×150×9×6000 400×300×16×7000 400×400×21×7000	A×B×t×Length 90×90×13×12000 150×150×15×12000 200×200×20×12000	D×t×Length ∅114.3×4.5×12000 ∅216.3×5.8×10000 ∅318.5×6.9×8000	D×Length ∅150×6000 ∅200×5000 ∅300×3000	t×A×Length 6×2000×2000 16×1500×5000 9×2500×3000 32×1000×6000 12×2000×4000 50×1500×3000

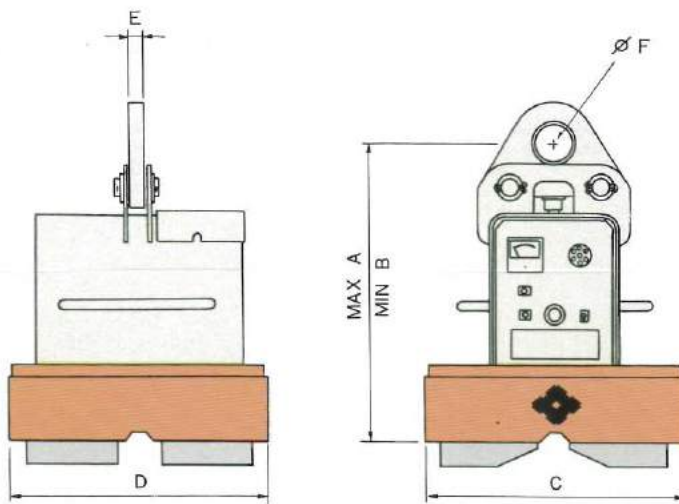
in millimeter

Conditions: The gap between MAGPORTER and the steel material shall be nil (max. 0.6mm).  
The battery must have a rated voltage (min. 11V).

### DIMENSIONS & SPECIFICATION

Model	MP-401	
Dimensions (mm)	A	518
	B	508
	C	450
	D	450
	E	32
	F	70
Self Weight (kg)	190	
Power Consumption (W)	90	
Battery	12V 35AH	
Standard Lifting Capacity	2500	

Note: Weight includes battery.



### POLE ATTACHMENT

S Pole	A Pole	B Pole	C Pole
No additional pole attachment	For round bar and pipe (150mm – 350mm dia.), plate, flat bar,	For round bar and pipe (80mm – 160mm dia.), plate, flat bar, angle steel	For round bar and pipe (80mm – 350mm dia.), plate, flat bar angle steel



**SUMITOMO HEAVY INDUSTRIES, LTD.**

Special Electric Equipment Department  
Handled by : Sales Section

Office : 1, Kanda Mitoshiro-cho, Chiyoda-ku, Tokyo 101, Japan  
Tel. (03) 296-5294 ~ 5297

Cable Address : "SUMIJUKI TOKYO"  
Telex : SUMIJUKA J24580